

SCL3

WITH EXTERNAL CLAMPING RING

25 - 100 Nm



NEW

PROPERTIES

FEATURES

- ▶ high torsional stiffness
- ▶ low inertia
- ▶ backlash free
- ▶ low imbalance

DESIGN

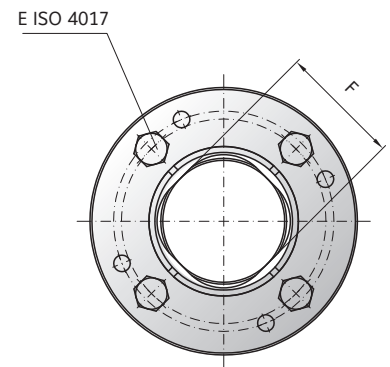
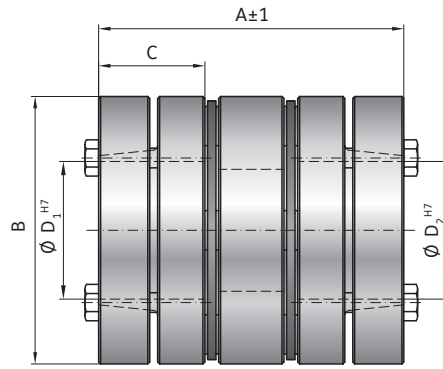
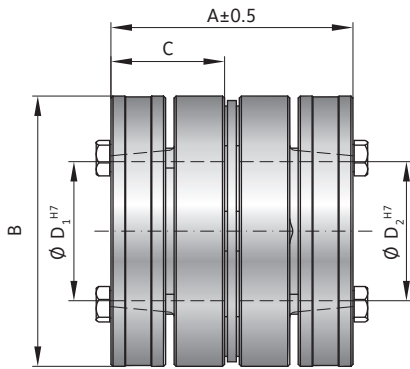
Two precision machined coupling hubs and precision spacer mounted to the disc packs by means of high strength screws and spacers for frictional clamping of the assembly.

MATERIAL

- ▶ **Disc packs:** highly elastic spring steel
- ▶ **Hubs and spacer:** aluminium

S = Single cardanic

D = Double cardanic



MODEL SCL3

SIZE			25		40		60		100	
System			S	D	S	D	S	D	S	D
Rated torque (Nm)	T_{KN}		25		40		60		100	
Coupling length (mm)	A		56.6	73.2	56.9	75.3	57.5	77.6	73.7	103.8
Outside diameter (mm)	B		56		63		68		82	
Fit length (mm)	C		27		27		27		32.5	
Bore diameter H7 (mm)	D_1 / D_2		18-28		20-30		27-35		24-40	
Fastening screw	E		M5		M5		M5		M5	
Tightening torque (Nm)	E		5.5		6		6		6	
Shaft diameter limitation (mm)	F		26		-		31		38	
Moment of inertia (10^{-3} kgm^2)	J_{ges}		0.144	0.187	0.230	0.304	0.310	0.422	0.837	1.170
Weight (kg)			0.299	0.390	0.384	0.508	0.435	0.603	0.835	1.156
Torsional stiffness (Nm/rad)	C_T		46000	23000	58000	29000	82000	41000	157000	78500
Axial displacement ± (mm)	max. values		0.4	0.81	0.42	0.85	0.5	1	0.55	1.15
Lateral displacement ± (mm)			-	0.29	-	0.32	-	0.35	-	0.53
Angular displacement ± (degree)			1	2	1	2	1	2	1	2
Max. speed (1/min)			10000							

ORDERING EXAMPLE	SCL3	60	D	28	33	XX
Model	●					
Size		●				
System			●			
Bore Ø D1 H7				●		
Bore Ø D2 H7					●	

Special designation only
(e.g. balanced G2.5)

For custom features place an XX at the end of the part number and describe the special requirements (SCL3 / 60 / D / 28 / 33 / XX)